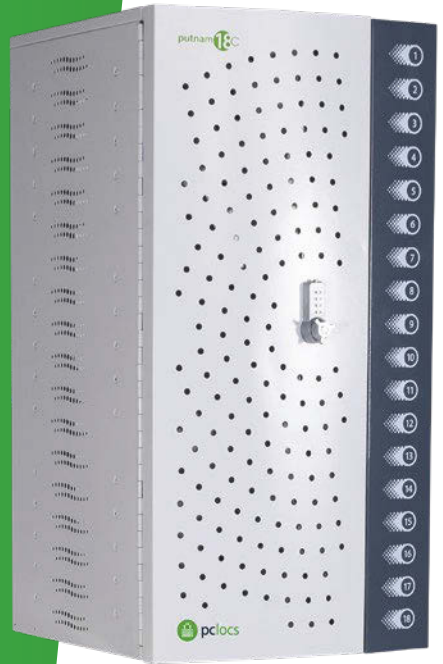


QUICK START

Putnam 18-C Base Charging Station



VIDEO INSTRUCTIONS:

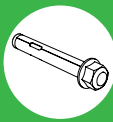
<https://vimeo.com/284290388>

Visit our website for detailed instructions.

www.lockncharge.com/support (International)

www.pclocs.com.au/support (AUS and NZ)

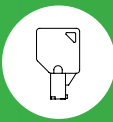
What's included?



x2



x1



x2



x36



x1



x1



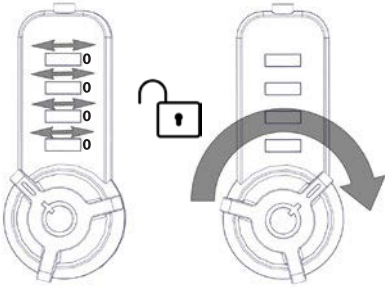
x2



x1

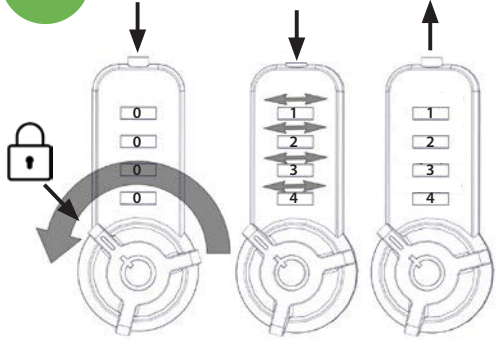
1

Default PIN = 0-0-0-0

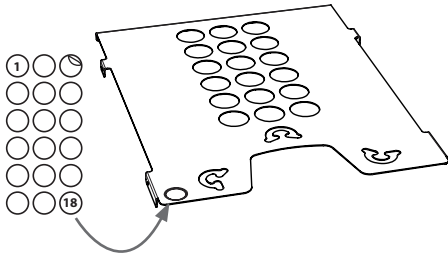


2

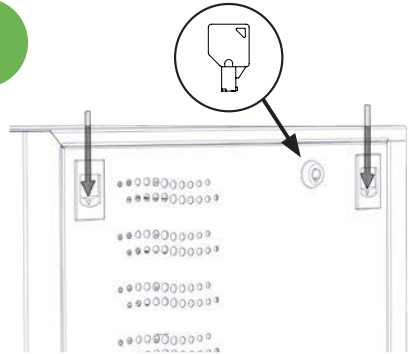
Change PIN



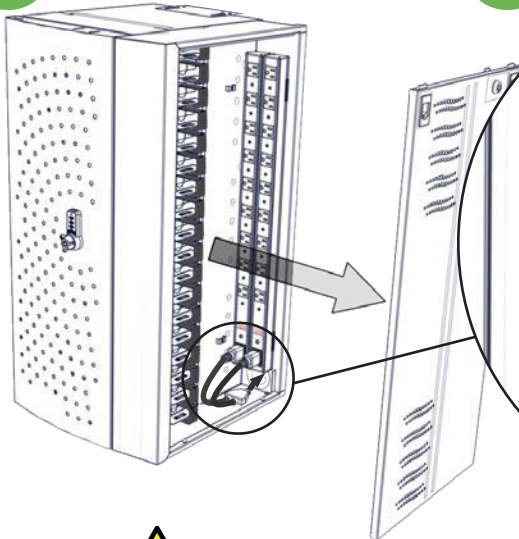
3



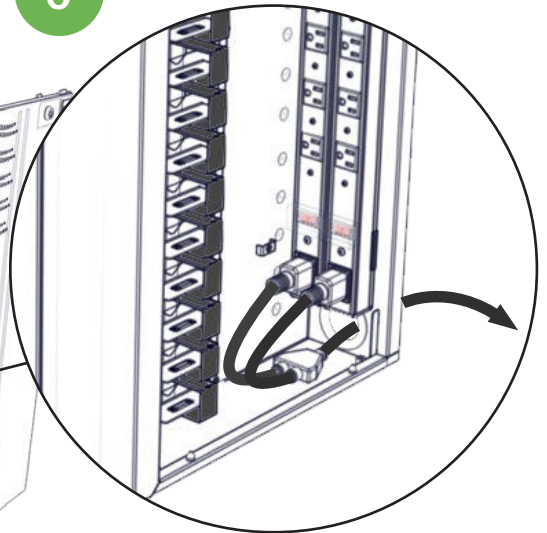
4



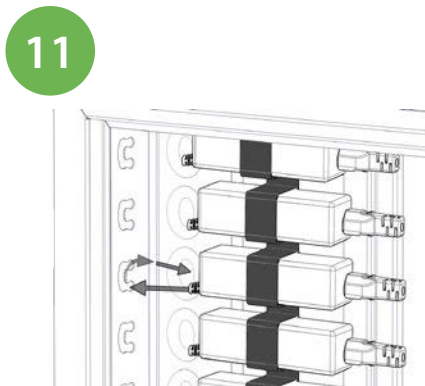
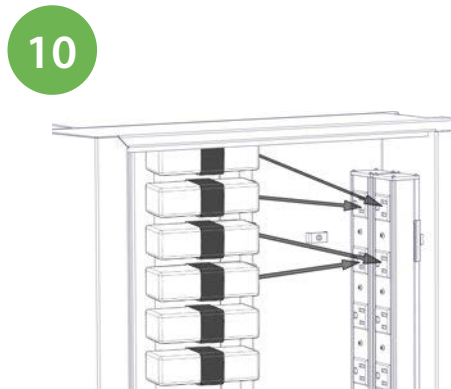
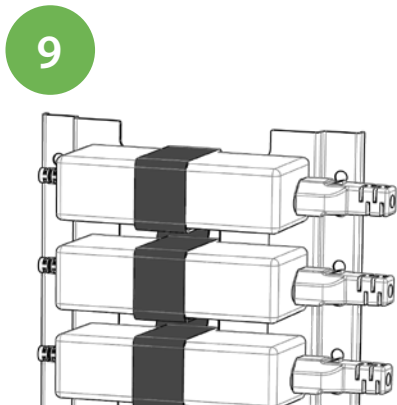
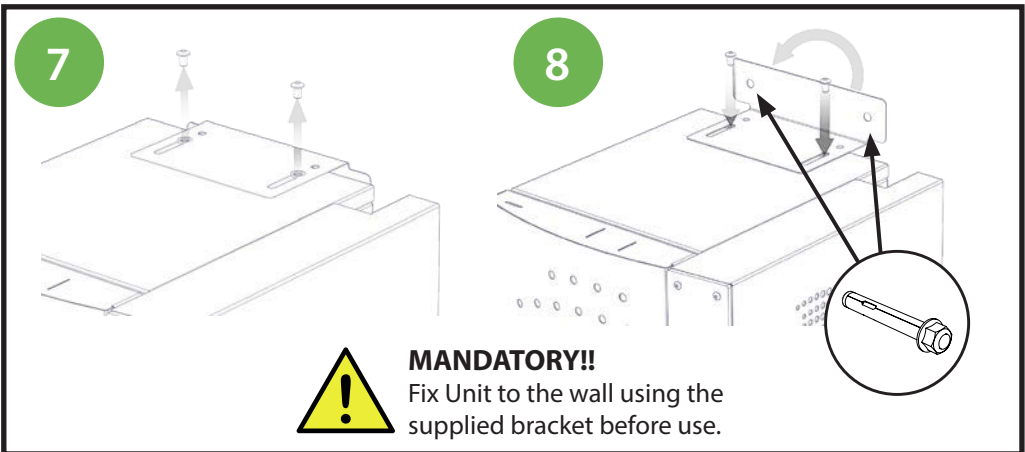
5



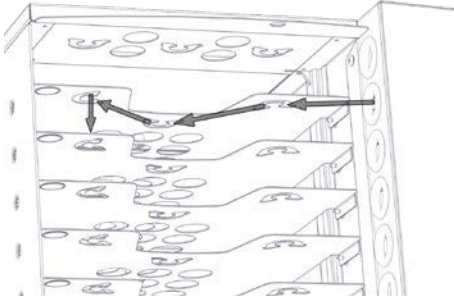
6



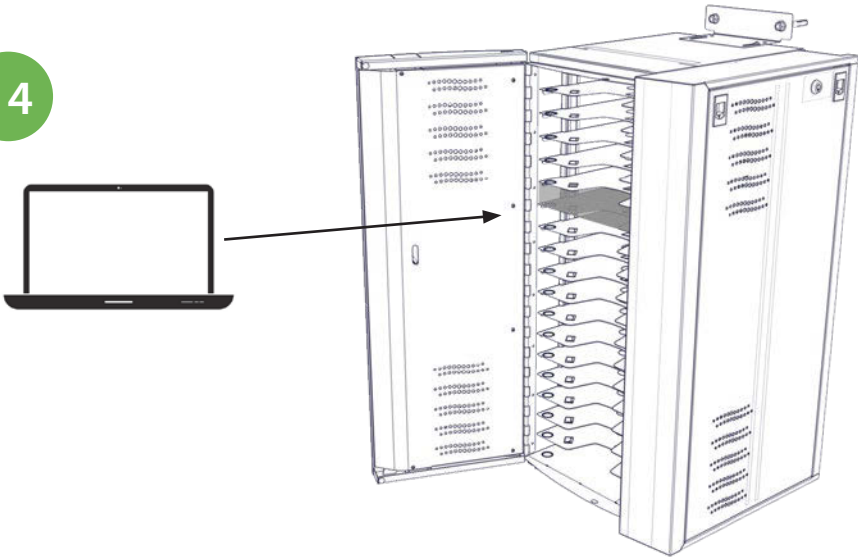
NOTE: UK and EU customers will need to install the Power Distribution Units (PDU). See PDU Kit manual.



13



14



15

Visit our website for more details



VISIT:

www.lockncharge.com (International site)

www.pclocs.com.au (Australia and New Zealand)